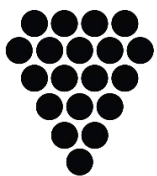


PRODUCT GUIDE

Enjoy the perfect
drop at home with
your VINCEL fridge



VINCEL

1300 VINCEL
info@vintel.com.au
vintel.com.au

Product Guide

Thank you for purchasing one of the VINCEL wine and beverage fridges.

Within these pages we provide information on how to set up your fridge, look after it and troubleshoot any problems.

PRODUCT RANGE

This guide covers the VINCEL product range as at August 2019.

1. THE TASTER
2. THE MIXER
3. THE ENTERTAINER
4. THE CONNOSUIER

General warning

⚡WARNING⚡	To reduce the risk of fire, electrical shock, or injury when using your appliance, follow these basic precautions.
------------------	--

This appliance is not intended for use by persons (including children) with reduced physical, sensory or mental capabilities, or lack of experience and knowledge. Use must be supervised and under instruction by the person responsible for their safety.

Children should not operate the refrigerator unless supervised and should not play with the settings and lights.

It's important to have enough clear space surrounding the fridge so the cord is easily accessible, and the unit will not overheat.

Do not touch the compressor unit with your hand.

Do not plug the cord into an extension device.

Do not move your fridge when it is full of wine or beverages.

If your cord is damaged in any way, please do not attempt to fix or replace yourself. Contact the manufacturer or a qualified refrigeration expert or electrician.

Important Safety Instructions

Keeping you safe is a top priority for us. Please read this carefully so you're aware of the risks and know how to avoid them.

DANGER WARNING: Risk of child entrapment

Children have been known to hide in fridges and become trapped causing suffocation. It's important you take every precaution to keep your children safe.

To avoid entrapment

When discarding your old fridge take off the door. Leave the shelves in place so that children may not easily climb inside.

Never allow children to operate, play with, or crawl inside the appliance.

FLAMABLE RISKS

Never clean appliance parts with flammable fluids. The fumes can create a fire hazard or explosion. Do not store or use gasoline or any other flammable vapors and liquids in the vicinity of this or any other appliance. The fumes can create a fire hazard or explosion. Do not store explosive substances such as aerosol cans with a flammable propellant in this appliance.

If the refrigerant of these appliances are R600a, Flammable and explosive articles should not be put in or near the cabinet, to avoid a fire or explosion.

KEEP VENTILATION AREAS CLEAR

Keep ventilation openings, in the appliance enclosure or in the built-in structure, clear of obstruction.

Do not use mechanical devices or other means to accelerate the defrosting process, other than those Recommended by the manufacturer;

To avoid a hazard due to instability of the appliance, it must be fixed in accordance with the instructions.

Getting Ready

- Step one: Remove the exterior and interior packing.
- Step two: Let the wine and beverage fridges stand for at least 2 hours before plugging into power source.
- Step three: Using lukewarm water, give the interior of the fridge a wipe over to remove any dust or packaging remnants.

Note: This is a domestic home product range and is not for commercial use.

Installation

Note:

This appliance is designed to be for free standing installation or built-in (fully recessed)

(Refer to sticker location the back of this appliance). It is intended to be used exclusively for the storage of wine or beverages. It is not for food.

Flooring

- Place your Wine cooler/Beverage cooler on a floor that is strong enough to support it when it is fully loaded.
- To level your Wine cooler/Beverage cooler, adjust the front leveling leg at the bottom of the Wine cooler/Beverage cooler. Or use adjustable feet.

Keeping you safe

- This appliance is using flammability refrigerant. It's important to not install if the cooling pipework has been damaged during transportation.

Regulating temperature control

Place the Wine cooler/Beverage cooler away from direct sunlight and sources of heat (stove, heater, radiator, etc.).

Direct sunlight may affect the acrylic coating and heat sources may increase electricity and consumption.

Extreme cold ambient temperatures may also cause the unit to perform at a sub-optimal level.

Avoid moist, wet areas of the kitchen.

Plug the Wine cooler/Beverage cooler into an exclusive, installed-grounded wall outlet.

Do not under any circumstances cut or remove the third (ground) prong from the power cord.

Any questions concerning power and/or grounding should be directed toward a certified electrician or an authorised products service centre.

Storing your wine

Store wine in sealed bottles;

- Do not overload the cabinet;
- Do not open the door unless necessary;
- Do not cover shelves with aluminum foil or any other shelf material which may prevent air circulation;
- Should the Wine cooler/Beverage cooler be stored without use for long periods it is suggested, after a careful cleaning, to leave the door ajar to allow air to circulate inside the cabinet in order to avoid possible formations of condensation, mold or odors.

Ambient Room Temperature Limits

This appliance is designed to operate in ambient temperatures specified by its temperature class marked on the rating plate.

Class	Symbol	Ambient Temperatures range(°C)
Extended Temperate	SN	+ 10 to + 32
Temperate	N	+ 16 to + 32
Subtropical	ST	+ 16 to + 38
Tropical	T	+ 16 to + 43

Regulation codes and their meaning

SS refers to stainless steel door frame, if without SS it is a black door frame

BLK refers to black coated mild steel frame

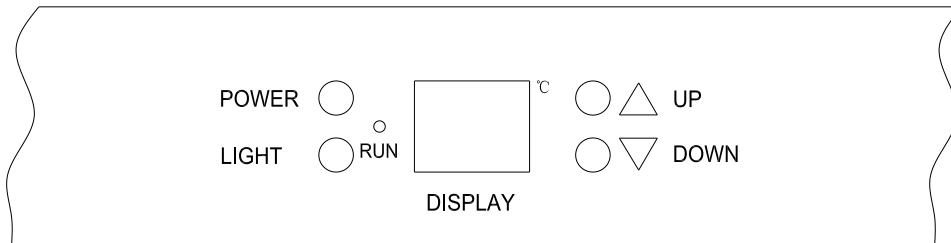
JG is wine cooler

BC is beverage cooler

Turn your fridge on and set the temperature

Have you waited two hours before turning on?

SINGLE ZONE CONTROL PANEL



POWER

When the light is on, your fridge is turned on. To turn on/off, press and hold this button for approximately three seconds.

LIGHT

The light switch controls your interior lights. When the circle is glowing, it's set to ON. When no light appears, it is set to OFF.

UP / DOWN CONTROLS

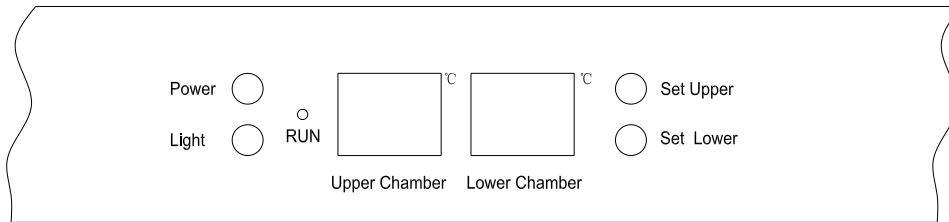
These buttons allow you to set the temperature. Pressing once raises or lowers the temperature by 1 degree Celsius.

DISPLAY

When you push the two buttons for the first time, the LED readout will show the original factory settings or your previous temperature setting.

To view the "actual" temperature press and hold the corresponding button for approximately 5 seconds, the "actual" temperature will temporarily "flash" in the LED display for 5 seconds.

DUAL ZONE WINE FRIDGE CONTROLS



RUN

Indicator light illuminates to signify the cooling mode is currently in operation.

LIGHT

To control the inner light turn on/off.

POWER

Hold down for three seconds to turn on/off.

TEMPERATURE

“Set Upper” Button

To set the temperature of the upper chamber.

“Set Lower” Button

To set the temperature of the lower chamber.

“Up chamber”

To show the temperature of the up chamber.

“Lower chamber”

To show the temperature of the lower chamber.

Each cooling compartment of the wine cooler (upper & lower) is independently controlled.

TO SET TEMPERATURE

Connect the power cord to a properly grounded outlet. In the event of a power interruption, all previous temperature settings are automatically erased and each compartment will default to a preset temperature setting of: 7°C for upper compartment and 12°C for lower compartment.

Set the desired temperature by pressing the buttons adjacent to the “set upper/set lower” program. Each depression of the button will scroll through the available temperature setting (for each compartment) in increments of 1 degree. The temperature selected will flash in the LED display for approximately 5 seconds, then go back to display the temperature of the internal cabinet

Upper compartment: The temperature setting can be adjusted from 5°C to 18°C.

Lower compartment: The temperature setting can be adjusted from 5°C to 18°C.

Temperature range

WC-SSDR-25A
WC-BLKDR-25A

WC-SSDR-48A
WC-BLKDR-48A

The temperature setting can be adjusted from 5°C to 18°C.
The temperature preset at the factory is 12°C.

The temperature setting can be adjusted from 2°C to 10°C.
The temperature preset at the factory is 6°C.

WC-SSDR-127B WC-BLKDR-127B
DUAL ZONE WINE FRIDGE

Upper compartment: The temperature setting can be adjusted from 5°C to 18°C.
Lower compartment: The temperature setting can be adjusted from 5°C to 18°C.

INTERNAL LIGHT

To conserve energy your internal light goes off after 10 minutes.

To over-ride this setting, press and hold the "LIGHT" button for 5 seconds, the display will show "LP". After 4 seconds the display will revert back to normal and the light will remain on until manually switched off.

If you want to revert back and conserve energy (recommended), please press and hold the "LIGHT" button for 5 second, the display will show "LF", after 4 seconds the display will revert back to normal, and the light will automatically switch off after 10 minutes.

Temperature Recollection Function

In the event of a power interruption, wine cooler can remember the previous temperature settings, and when the power is recovery, the cooler temperature will go back the same setting temperature as power off.

Temperature Alarm

If inner temperature is higher than 23°C, the "HI" is shown in display panel, and the buzzer alarm after one hour continuously.

If inner temperature is lower than 0°C, the "LO" is shown in display panel, and the buzzer alarm and the malfunction indicator light at the same time.

ATTENTION

If the unit is unplugged, power lost, or turned off, you must wait 3 to5 minutes before restart the unit. If you need attempt to restart before this time delay, the Wine Cooler/Beverage Cooler will not start. If first time use or longer absence of using, the temperature will difference between setting and LED display temperature. After running a period, the temperature will revert back.

Shelves

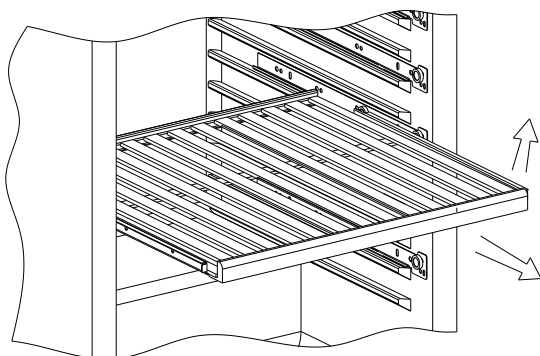
To prevent damaging the door gasket, make sure to have the door all the way opened when pulling shelves out of the rail compartment.

For easy access to the storage content, you must pull the shelves approximately 1/3 out of the rail compartment, however this unit was designed with a notch on each sides of the shelf tracks to prevent bottles from falling.

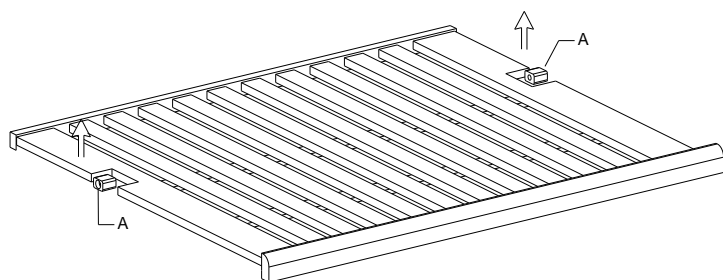
Please refer to the following directions specific to the fridge model you have.

First pull the shelf outward to the end, then lift the edge of the shelf upward and pull the shelf out of the cabinet. Operate reversed when you need to install the shelf.

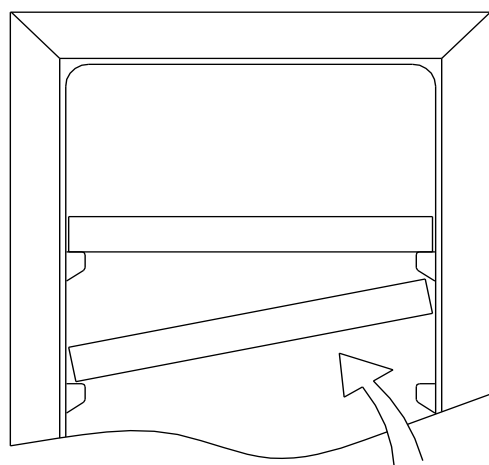
Note: you should first insert the right side of the shelf into the rail compartment



If you need to take out any shelf, move the shelf towards the gap on the both sides and alignment with shelf support A. Then, upwards the shelf and pull out it from the cabinet once the shelf support disengaged from the gap.



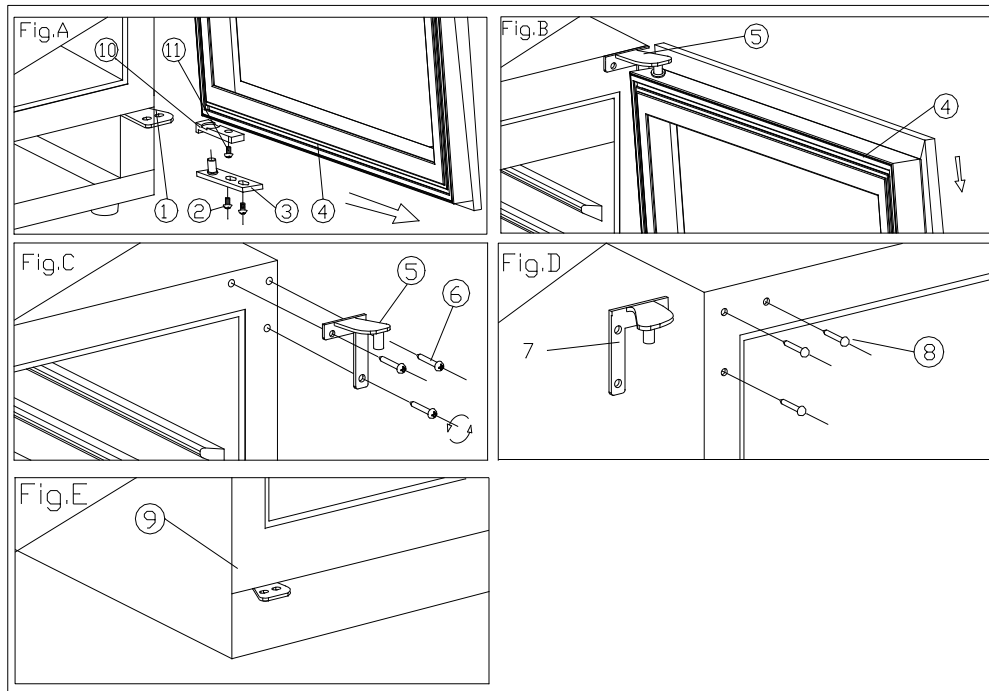
When removing any of these shelves out of the rail compartment, to fit or remove the shelf, tilt the shelf as per the diagram and simply pull out, or push in the shelf until it sits on the support brackets securely.



Reverse the door

This appliance has the capability of the door opening from either the left or right side. The unit is delivered to you with the door opening from the left side.

Here's how:



- | | | |
|-----------------------|---------------------|----------------------|
| 1 Lower hinge (Right) | 2 Screws | 3 Door axis |
| 4 Door | 5 Top hinge (Right) | 6 Hinge screws |
| 7 Top hinge (Left) | 8 Decorative nail | 9 Lower hinge (Left) |
| 10 Door limit device | 11 Screws | |

- Open the door to a 90 degrees angle, take out the two screws(2) from the door axis(3),remove the door(4). Remove the door axis(3) from the door.(Fig.A)
- Unscrew the screw(11) located underneath the door frame and the limit device(10),and relocate it at left end side of the door frame.(Fig.A/B)
- Take out 3 hinge screws(6) from the top hinge(right) (5) and remove it .(Fig.C)
- Remove decorative nail(8) from left top of cabinet and install spare top hinge(Left) (7) at left top of cabinet with 3 screws.(Fig.D)
- Following the above procedure install the spare lower hinge to the left(9).(Fig.E)
- Install and aligned the door.
- Insert the plastic caps to cover the holes(8).

DUAL ZONE FRIDGE

This appliance has reversible doors, but the default is a right hinged door. Included is a left-hinge door kit.

Fig.A

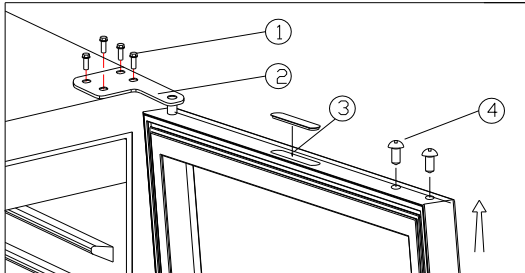


Fig.B

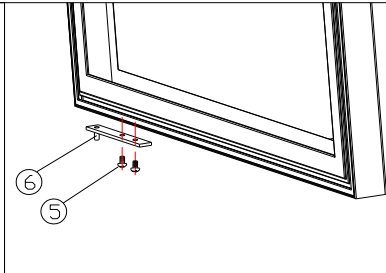


Fig.C

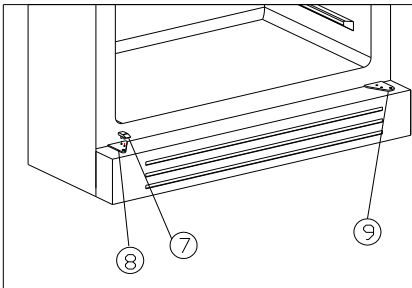
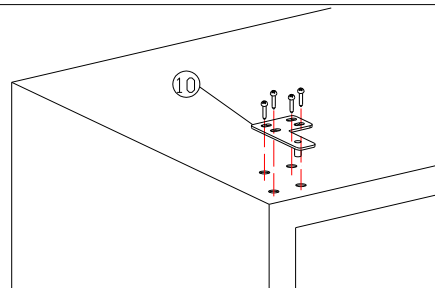


Fig.D



- | | | |
|----------------------|-----------------------|-------------------------------|
| 1. Screws | 2. Top hinge (right) | 3. Lock hole decorative cover |
| 4. Decorative nail | 5. Screws | 6. Door axis(right) |
| 7. Door bracket | 8. Lower hinge (left) | 9. Lower hinge (right) |
| 10. Top hinge (left) | | |

1. Take out 4 screws (1) from top hinge (right) (2) and remove the top hinge (right), then put out the door. (Fig.A)

2. Put the door safety and take out the lock hole decorative cover (3) and decorative nail (4) from top of door frame, unscrew 2 screws (5) at bottom and remove the door axis(right) (6), then install the lock hole decorative cover(3) and decorative nail (4) at bottom, please install the spare left door axis at top of door frame. (Fig.B)

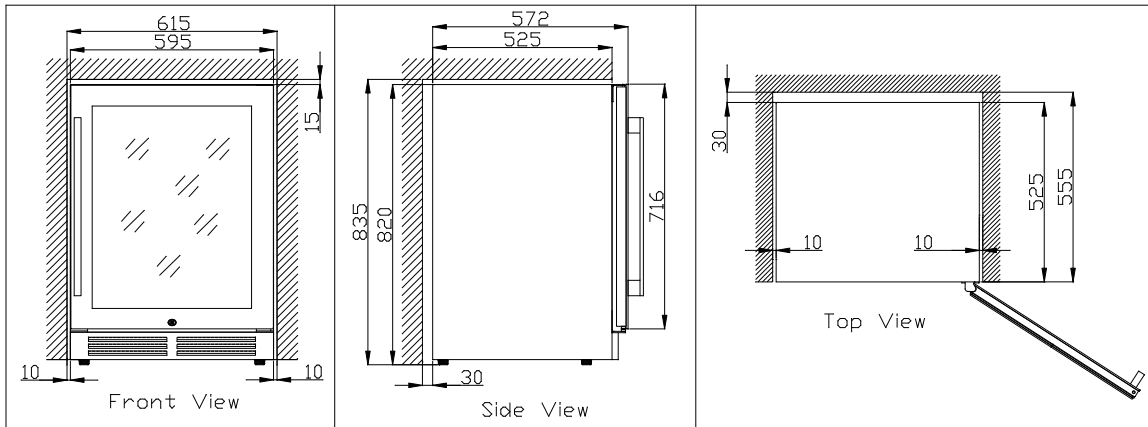
3. Remove the door bracket (7) from lower hinge(left) (8) and install it at lower hinge (right) (9) . (Fig.C)

4. The door revolves 180 degrees, put door axis to aim at lower hinge(left) and install the door onto lower hinge(left), then close the door carefully.

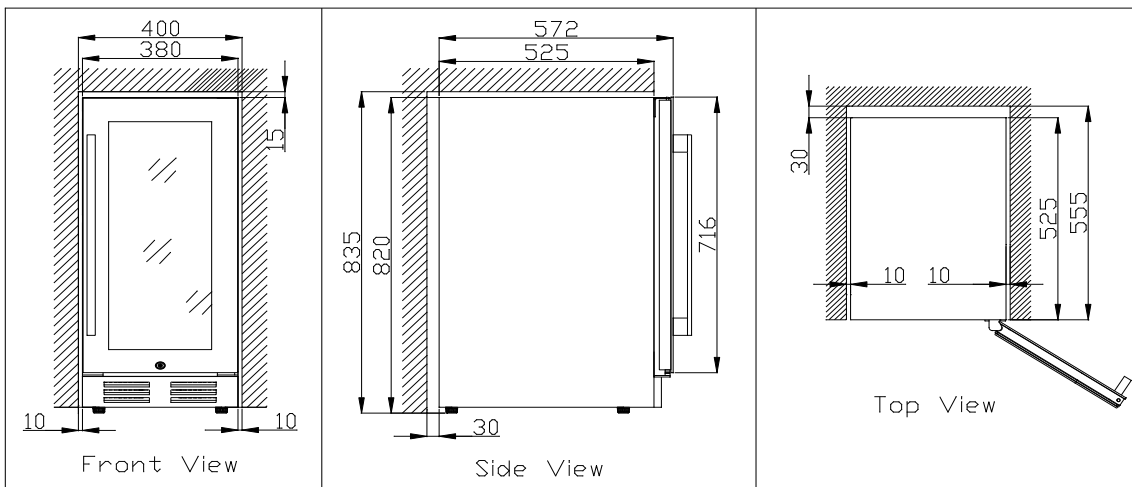
5. Fix spare top hinge (left) (10) onto left top of cabinet with 4 screws (1), then adjust door. (Fig.D) Note: This is a two-person operation.

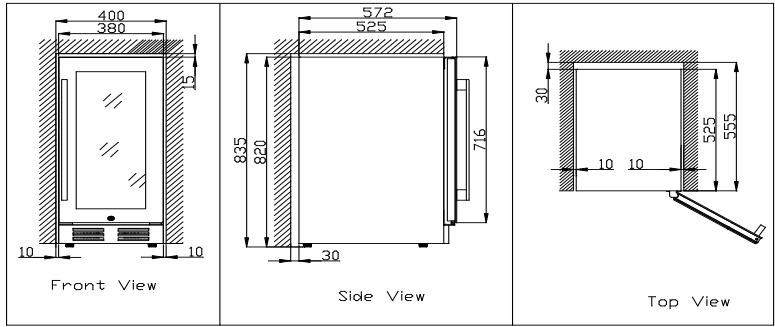
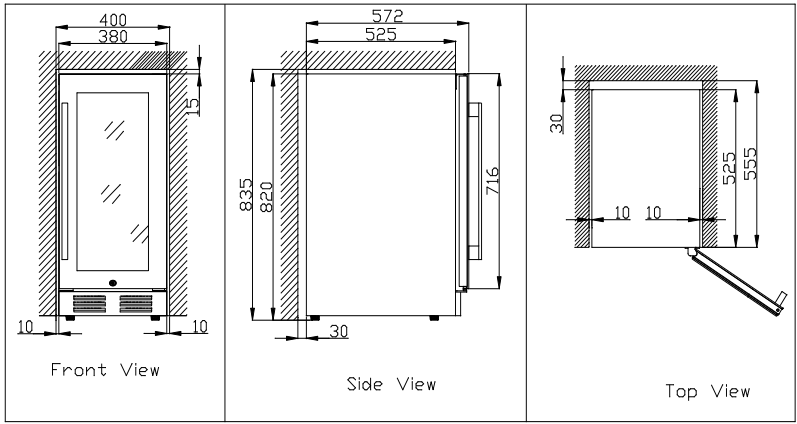
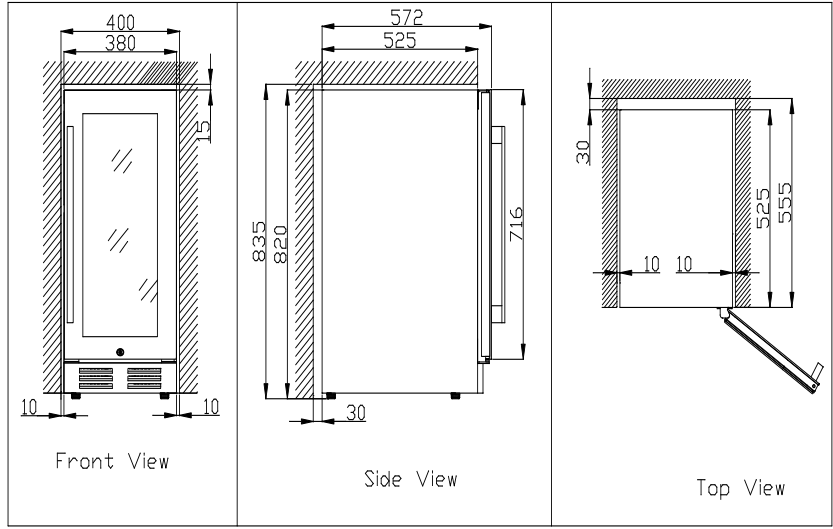
Installation specifications for built-in purposes

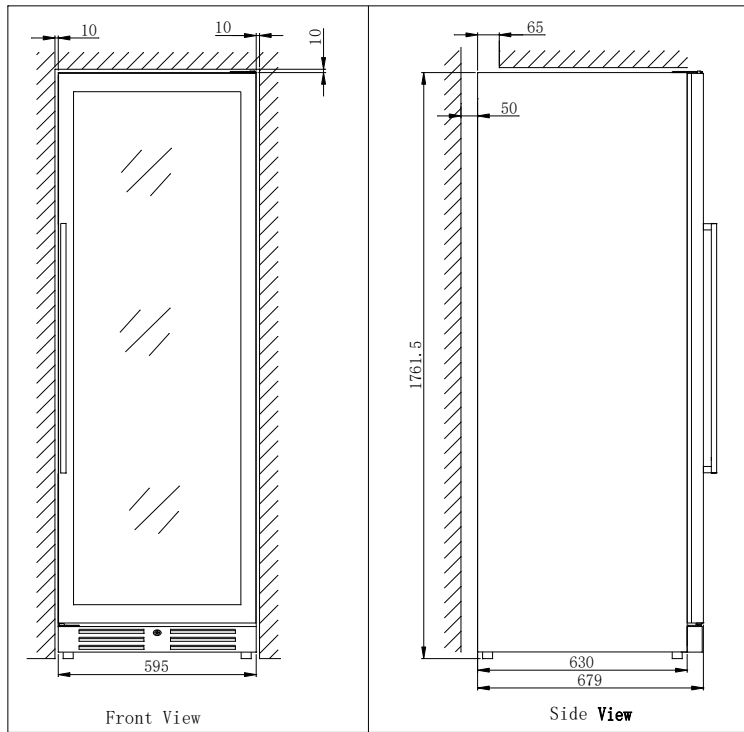
WC-SSDR-48A



WC-SSDR-25A



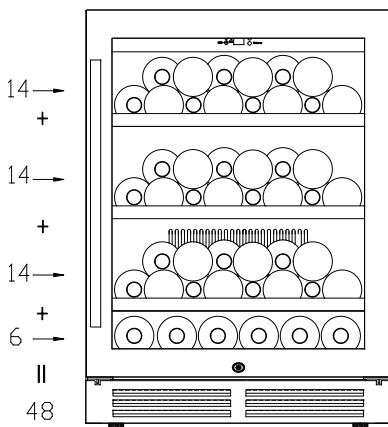




STORAGE DIAGRAM

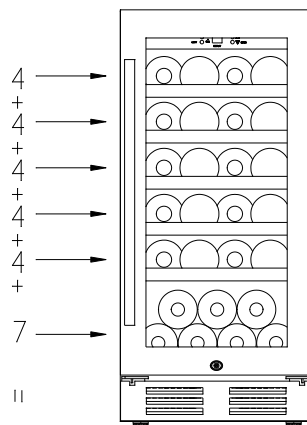
(for 750 ml Bordeaux bottles)

WC SSSDR-25A



total 48 bottles(max)
wine cooler

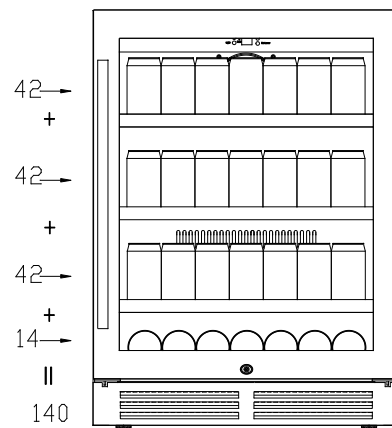
WC-SSDR-48A

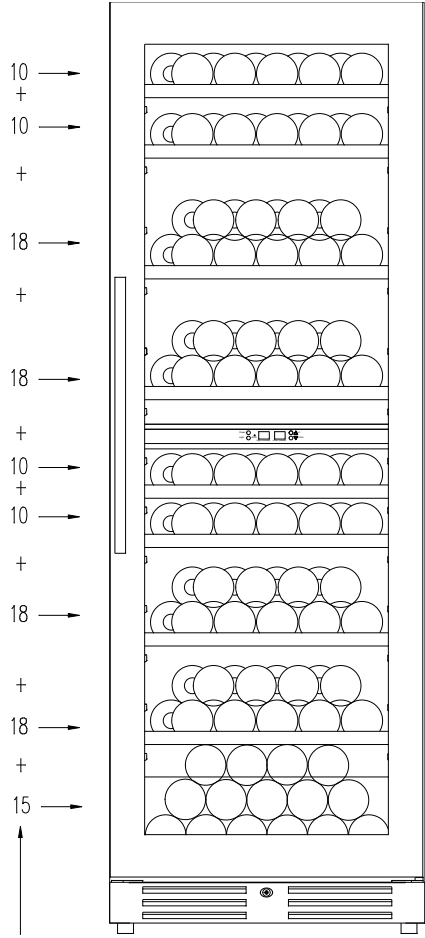


Total 27 bottles
wine cooler

(for 350 ml Beverage bottles)

BC-BLKDR-45A





total 127 bottles(max)
wine cooler

Care & maintenance

Regularly clean your fridge

- Turn off the power, unplug the appliance, and remove all items including shelves and rack.
- Wash the inside surfaces with a warm water and mild solution.
- Wash the shelves with a mild detergent solution.
- Wring excess water out of the sponge or cloth when cleaning area of the controls, or any electrical parts.
- Wash the outside cabinet with warm water and mild liquid detergent. Rinse well and wipe dry with a clean soft cloth.

Power failure

- Most power failures are corrected within a few hours and should not affect the temperature of your appliance if you minimize the number of times the door is opened.
- If the power is going to be off for a long period of time, you need to take the proper steps to protect your contents.

While on holidays

- Short holidays: Leave the Wine Cooler/Beverage Cooler operating during vacations of less than three weeks.
- If the appliance will not be used for several months, remove all items and turn off the appliance. Clean and dry the interior thoroughly. To prevent odor and mold growth, leave the door open slightly: blocking it open if necessary.

Moving your Wine Cooler/Beverage Cooler:


- Remove all items.
- Take out the loose items inside the wine cooler/Beverage Cooler (such as shelf) or fix the loose items with the foam.
- Turn the adjustable leg up to the base to avoid damage.
- Tape the door shut.
- Be sure the appliance stays secure in the upright position during transportation. Also protect outside of appliance with a blanket or something similar.

Energy saving tips

- The Wine Cooler/Beverage Cooler should be located in the coolest area of the room, away from producing appliances, and out of the direct sunlight.

Before disposal of the appliance.

1. Disconnect the main plug from the main socket.
2. Cut off the main cable and discard it.

	Correct disposal of this product
	<p>This symbol on the product, or in its packaging, indicates that this product may not be treated as household waste. Instead, it should be taken to the appropriate waste collection point for the recycling of electrical and electronic equipment. By ensuring this product is disposed of correctly, you will help prevent potential negative consequences for the environment and human health, which could otherwise be caused by the inappropriate waste handling of this product. For more detailed information about the recycling of this product, please contact your local council, your household waste disposal service, or the shop where you purchased the product.</p>

Troubleshooting

Wine fridges are durable, so when something goes wrong there a few checks you should do before arranging a service.

Problem	Possible Cause
Your wine fridge has stopped working	<p>You wouldn't believe it, but the biggest cause of fridges not working is power.</p> <ul style="list-style-type: none"> - make sure your wine fridge is plugged in - check your circuit breaker to make sure it hasn't tripped or blown a fuse.
When you serve your wine it's not cold enough	<p>Make sure you've set the temperature controls to your liking and that your wine fridge is stored out of direct sunlight.</p> <p>Common reasons this happens:</p> <ul style="list-style-type: none"> - You're opening the fridge door frequently - The settings aren't right for the wine you're storing - Direct sunlight is hitting the glass - Your door seal may be cracked.
Your fridge mysteriously turns itself on and off	<p>This is one of life's mystery that can be easily explained.</p> <ul style="list-style-type: none"> - Your room temperature may be hotter than usual. - Your fridge could be overloaded (Too much wine).
The light has stopped coming on.	<p>It's hard to see your beautiful wine without a light.</p> <p>The most common reason for this is that your bulb has blown and it's time to replace it.</p> <p>Otherwise you'll need to check:</p> <ul style="list-style-type: none"> - Is your fridge plugged in? - Has the circuit breaker tripped?

	<ul style="list-style-type: none"> - Is the light button is switched to "OFF" - Has your LED strip stopped working?
My wine fridge vibrates	<p>This only happens if your wine fridge isn't level. Use an adjustable foot for your fridge to level it out.</p>
I can hear my wine fridge when it's quiet.	<p>A certain humming noise is perfectly normal (under 45 decibals).</p> <p>It just means the fridge is doing its job.</p> <ul style="list-style-type: none"> - flow of refrigerant - gurgling at the end of each cycle
Help. My door's not closing.	<p>The Wine Cooler/Beverage Cooler is not level. The door was reversed and not properly installed. The gasket is dirty. The shelves are out of position.</p>